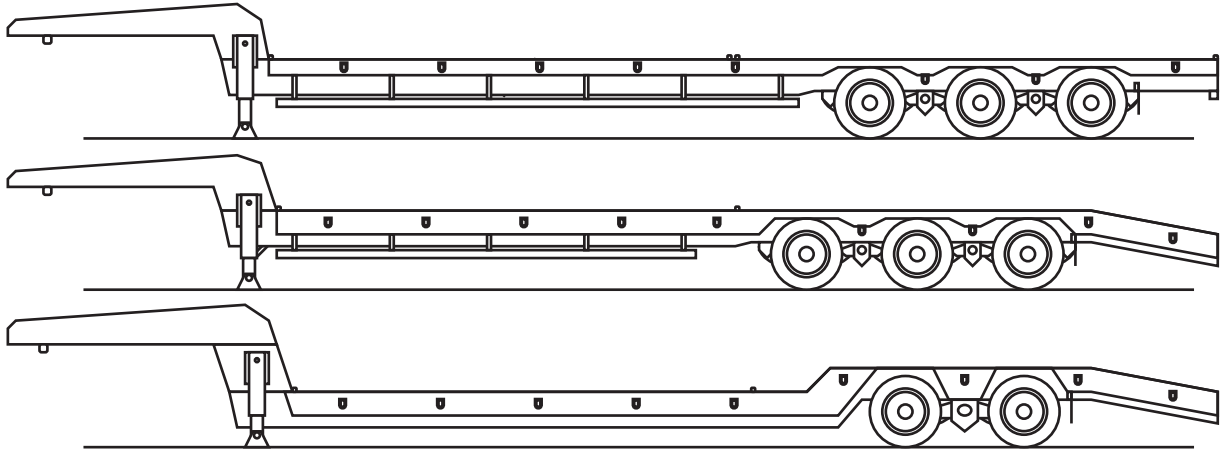


PTES LOWBED / U-BED TRAILER

© 2011 PUBLIC TRAILER EQUIPMENT SUPPLIES PTE LTD



MODEL	40FT LB 40LB3A40T	40FT LB 40LB3A50T	40FT LB 40LB3A60T	40FT LB 40LB3A70T
Payload	40ton	50ton	60ton	70ton
Unladen Wt	9ton	11ton	14ton	16ton
Deck Size (m)	12.2L x 3.2W	12.2L x 3.2W	12.2L x 3.2W	12.2L x 3.6W
Axle	3 x York 12ton	3 x York 13ton		
Suspension	York YTE 75 8leaf	York YTE 75 8leaf	York AGB 80/15	York AGB 100/20
Tyres	1000R15.18ply	1000R15.18ply	1000R15.18ply	315/80R22.5.18ply
Landing Leg		York YT-28A; 2spd, 28ton cap., 64ton static cap.		
Brakes	2-line pneumatics	2-line pneumatics	2-line pneumatics	2-line pneumatics
Electrical	24V system	24V system	24V system	24V system
Sideguard	Lipped channels	Lipped channels	Lipped channels	Lipped channels
Finish		Sandblasted, primed, automotive paint finish		
Deck Top	1" thk Balau wood	1.5" thk Balau wood	2" thk Balau wood	2" thk Balau wood
Customise	Lowbed design, dimension and payload can be customised to suit various applications.			